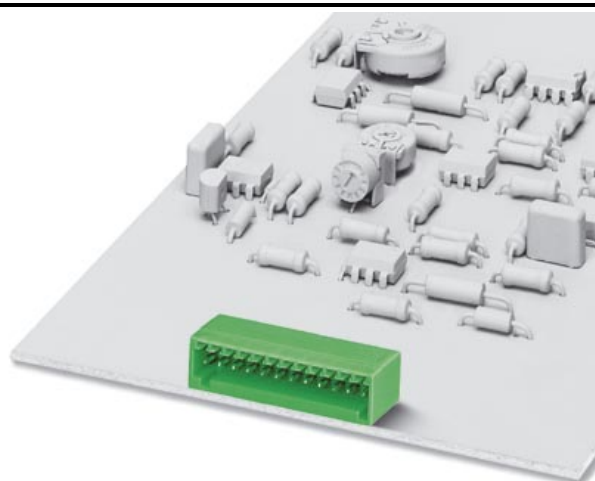


Please note that the data given here has been taken from the online catalog. For comprehensive information and data, please refer to the user documentation at <http://www.download.phoenixcontact.com>. The General Terms and Conditions of Use apply to Internet downloads.

## ► Extract from the online catalog



Header, nominal current: 4 A, rated voltage: 80 V, pitch: 2.5 mm, no. of positions: 8, mounting: Soldering

The illustration shows an 11-position version

Order No.	1881503
Ord designation	MC 0,5/ 8-G-2,5
EAN	4017918156749
Pack	50 Pcs.
Customs tariff	85369010
Catalog page information	Page 80 (CC-2005)

## ► Technical data

### Dimensions / positions

Pitch	2.5 mm
Dimension a	17.5 mm
Number of positions	8
Pin dimensions	0,8 x 0,8 mm
Hole diameter	1.2 mm

**Technical data**

---

Insulating material group	I
Rated surge voltage (III/3)	1.5 kV
Rated surge voltage (III/2)	2.5 kV
Rated surge voltage (II/2)	2.5 kV
Rated voltage (III/2)	160 V
Rated voltage (II/2)	320 V
Connection in acc. with standard	EN-VDE
Nominal current $I_N$	4 A
Nominal voltage $U_N$	80 V
Maximum load current	4 A
Insulating material	PA
Inflammability class acc. to UL 94	V0

---

---

## ► Certificates

---

### Certificate logos



---

#### UL

Nominal voltage $U_N$	125 V
Nominal current $I_N$	4 A

---

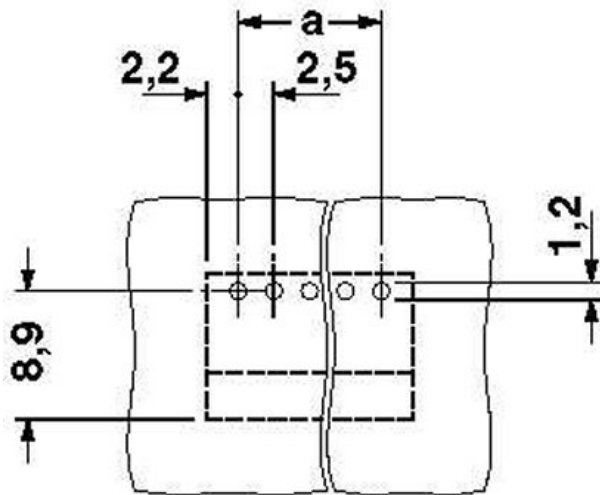
#### CUL

Nominal voltage $U_N$	125 V
Nominal current $I_N$	4 A

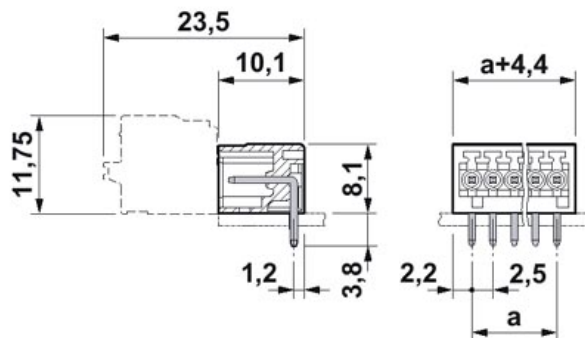
---

## ▶ Drawings

### Drilling diagram



### Dimensioned drawing



---

## ► Accessories

---

Item	Designation	Description
<b>Marking</b>		
0804853	SK 2,54/2,8:FORTL.ZAHLEN	Marker card, printed horizontally, self-adhesive, 10-section marker strip, 12 identical decades marked 1-10, 11-20 etc. up to 91-100, sufficient for 120 terminal blocks
<b>Plug/Adapter</b>		
1881435	CP-MC 0,5	Coding section, is inserted into the groove in the header, red insulating material

---

---

► **Additional products**

---

Item	Designation	Description
<b>General</b>		
1881383	FK-MC 0,5/ 8-ST-2,5	Plug component, nominal current: 4 A, rated voltage: 80 V, pitch: 2.5 mm, no. of positions: 8, type of connection: Spring-cage connection

---

## ► Address

---

PHOENIX CONTACT GmbH & Co. KG  
Flachsmarktstr. 8  
32825 Blomberg  
Germany  
Phone +49 5235 3 00  
Fax +49 5235 3 1200  
<http://www.phoenixcontact.com>  
Phoenix Contact  
Technical modifications reserved;